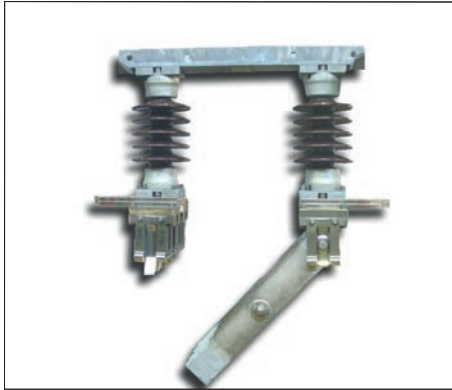


Disconnecter

TYPE OVB3000

$U_r \leq 3000 \text{ V}$ - BIL 95 kV - I_r : 1000 A - 2000 A - 4000 A

I_k : 50 kA - I_p : 125 kA



Applications

- For outdoor use, Single pole, Horizontal installation, upside down disconnector
 - ambient temperature use : - 25°C / + 40°C.
- For railway electrification
- Catenaries feeding
- Feeding of auxiliaries

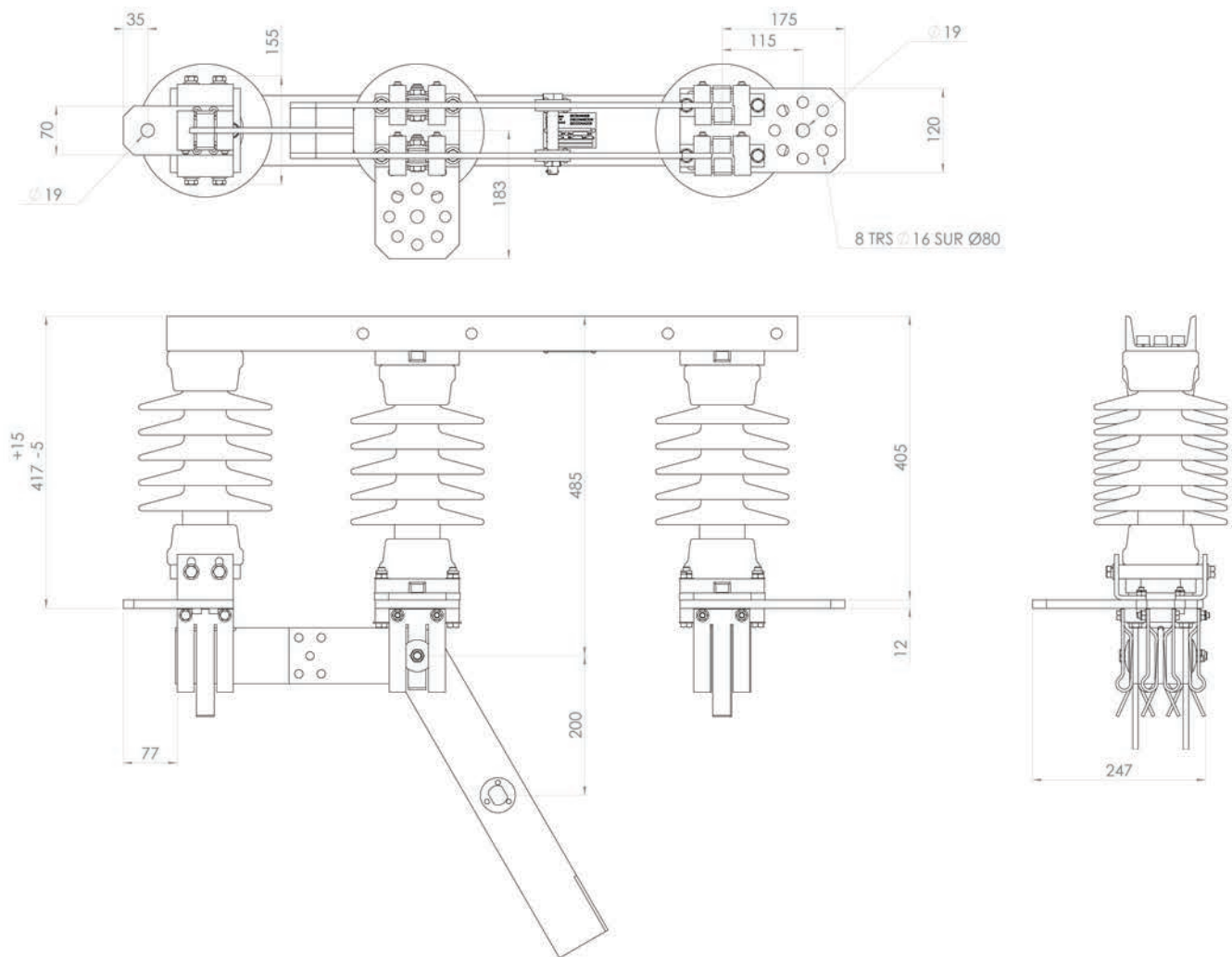
Technical datas

- Rated voltage 750 V - 1500 V - 3000 V.c.c.
- Dielectric withstand at 50 Hz for 1 minute (kV rms)
 - to earth 38 kV
 - accross isolating distance 45 kV
- Dielectric withstand rated lightning impulse withstand (1,2 / 50 μ s)
 - to earth 95 kV
 - accross isolating distance 110 kV
- Porcelain (silicone optional) insulator
 - minimum creepage distance 360 mm (higher values upon request)
- Primary Terminals nickel plated copper pads
- Seismic withstand 0,2 g (higher values upon request)
- Mechanical endurance 1000 cycles
- Ice operation 10 mm
- Weight per pole 65 kg

Options

- Earthing switch 1000 A & 2000 A
- Switch 2000 A
- Main disconnector drives :
 - manual (MOM) or electrical (EOM)
 - auxiliary contacts up to 8NO + 8NC

Outline drawing



The drawing above is given for information only. Detailed layout available upon request.

General features

- Applicable IEC standards compliant
- Type tests reports available upon request

Disconnecter

TYPE OVB25

Ur : 25 kV - BIL 250 kV - Ir : 1250 A

Ik : 12,5 kA - Ip : 32 kA



Applications

- For outdoor use, Single or double pole, Horizontal installation, upside down disconnectors
 - ambient temperature use : - 25°C / + 40°C.
- For railway electrification 25 kV - 50 Hz.
- Single and two phases systems.
- Catenaries feeding
- Feeding of heating of switching point.
- Feeding of auxiliaries (capacitor bank, auxiliary transformers...).

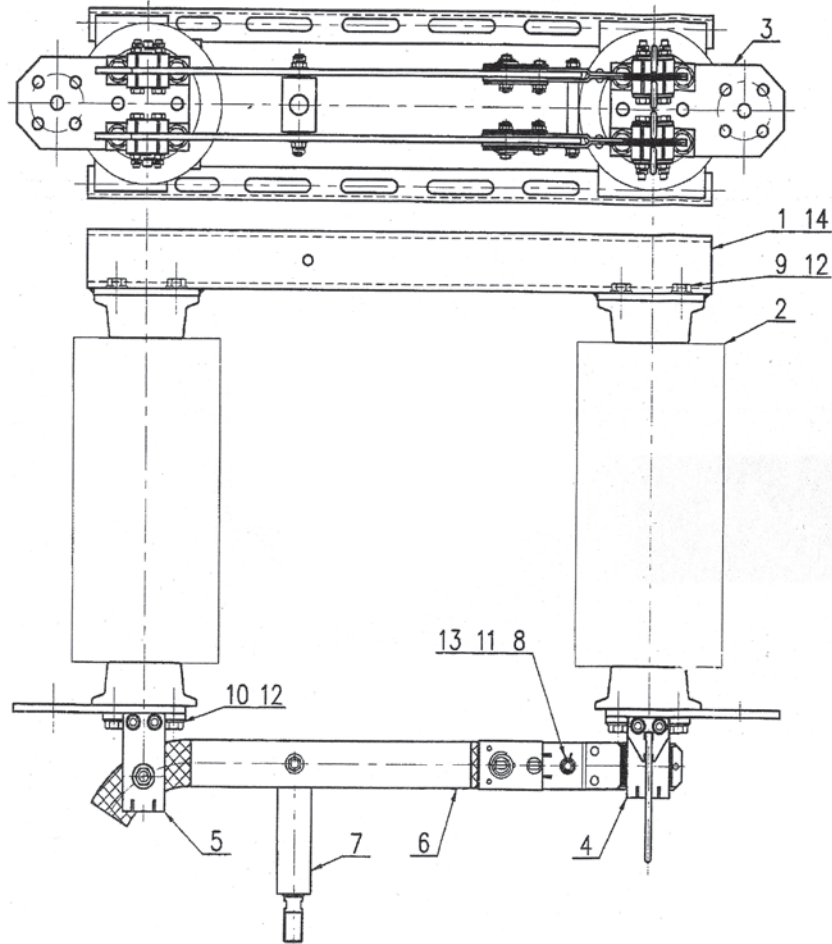
Technical datas

- Dielectric withstand at 50 Hz for 1 minute (kV rms)
 - to earth 95 kV
 - accross isolating distance 110 kV
- Dielectric withstand rated lightning impulse withstand (1,2 / 50 μ s)
 - to earth 250 kV
 - accross isolating distance 290 kV
- Porcelain insulator
 - minimum creepage distance 1320 mm (higher values upon request)
- Primary Terminals nickel plated copper pads
- Seismic withstand 0,2 g (higher values upon request)
- Mechanical endurance 1000 cycles
- Ice withstand 10 mm
- Weight per pole 65 kg

Options

- Associated earthing switch
 - rated short-circuit withstand : Ik same as disconnecter
- Interlocking device with other functions
- Disconnecter and earthing switch drives
 - manual (MOM) or electrical (EOM)
 - auxiliary contacts up to 8NO + 8NC

Outline drawing



General features

- Applicable IEC standards compliant
- Type tests reports available upon request