

Manual operating mechanism with vertical translation

TYPE T70



Applications

- Manual operating mechanism with local operation, for outdoor disconnectors with gang operated or one pole operated.
- For disconnector : Center break, double break, earthing switch.

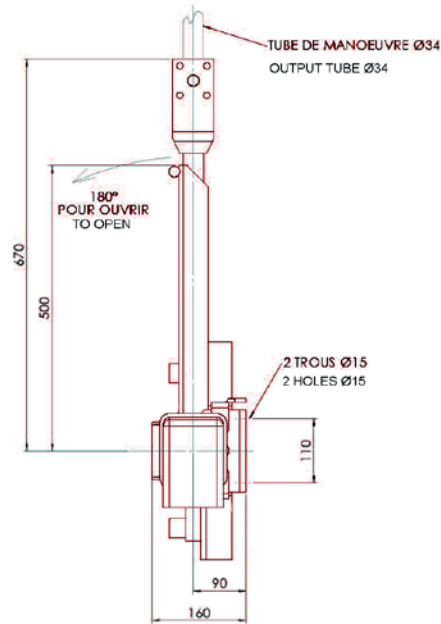
Technical datas

- Based and operating lever made with hot dip galvanized steel
- Operating lever with two horizontal handles
 - Length of lever 500 mm
 - Maximum force 450 N
- Mechanical locking in "open" and "closed" position With padlock (padlock not supplied)
- Rotating angle 180°
- Output shaft stroke 190 mm
- Weight 14 kg

Options

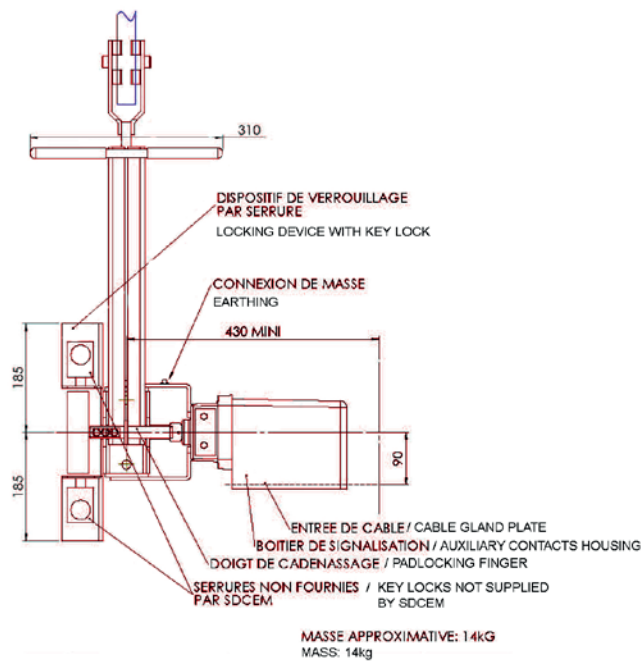
- Auxiliary contacts
 - 4NO + 4NC
 - 6NO + 6NC/8NO + 8NC
 - Insulation level: 2 kV
 - Rated current: 10 A
 - Breaking capacity: 110 Vdc/1A
 - Breaking capacity: 220Vdc/0,3A
 - Breaking capacity: 220 Vac/2A
- Heating resistance (230 Vac - 50/60 Hz)
- Electro-magnetic lock with or without push-button and with or without signalling lamp
- Locking with keylocks (keylocks not supplied)
- Box protection degree IP43 (with options above), with cable gland plates (to drill on site).

Outline drawing



NOTA : LE TUBE DE MANOEUVRE DOIT ETRE VERTICAL
NOTE: OPERATING TUBE MUST BE VERTICAL

LA COMMANDE EST REPRESENTEE EN POSITION FERMEE
THIS OPERATING MECHANISM IS SHOWN IN CLOSED POSITION



The drawing above is given for information only. Detailed layout available upon request.

General features

- IEC standards compliant.
- Type tests reports available upon request.