

Outdoor vacuum load break switch

TYPE IT25N

Ur : 25 kV - BIL 250 kV - Ir : 2000 A

Ik : 31,5 kA - Ip : 80 kA



Applications

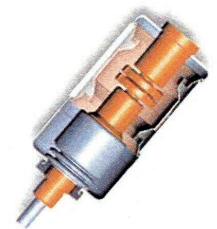
- The IT25N is destined to railways electrification, for outdoor, vertical or horizontal, single or double pole installation.
- For single and two phases systems, the IT25 range allows catenaries feeding, feeding of heating of switching point and of auxiliaries (capacitor bank, auxiliary transformers...).

Benefits

- By making economic sense and being easy to handle the IT25 disconnecter range guarantee a higher performance on the rated making short circuit current.
- Cable connections on fixed terminals prevent from any dynamic efforts on terminals which increases the reliability and life cycle of the product. While the closing systems (electrical and mechanical) are separated in order to prevent premature deterioration of the device.

Technical datas

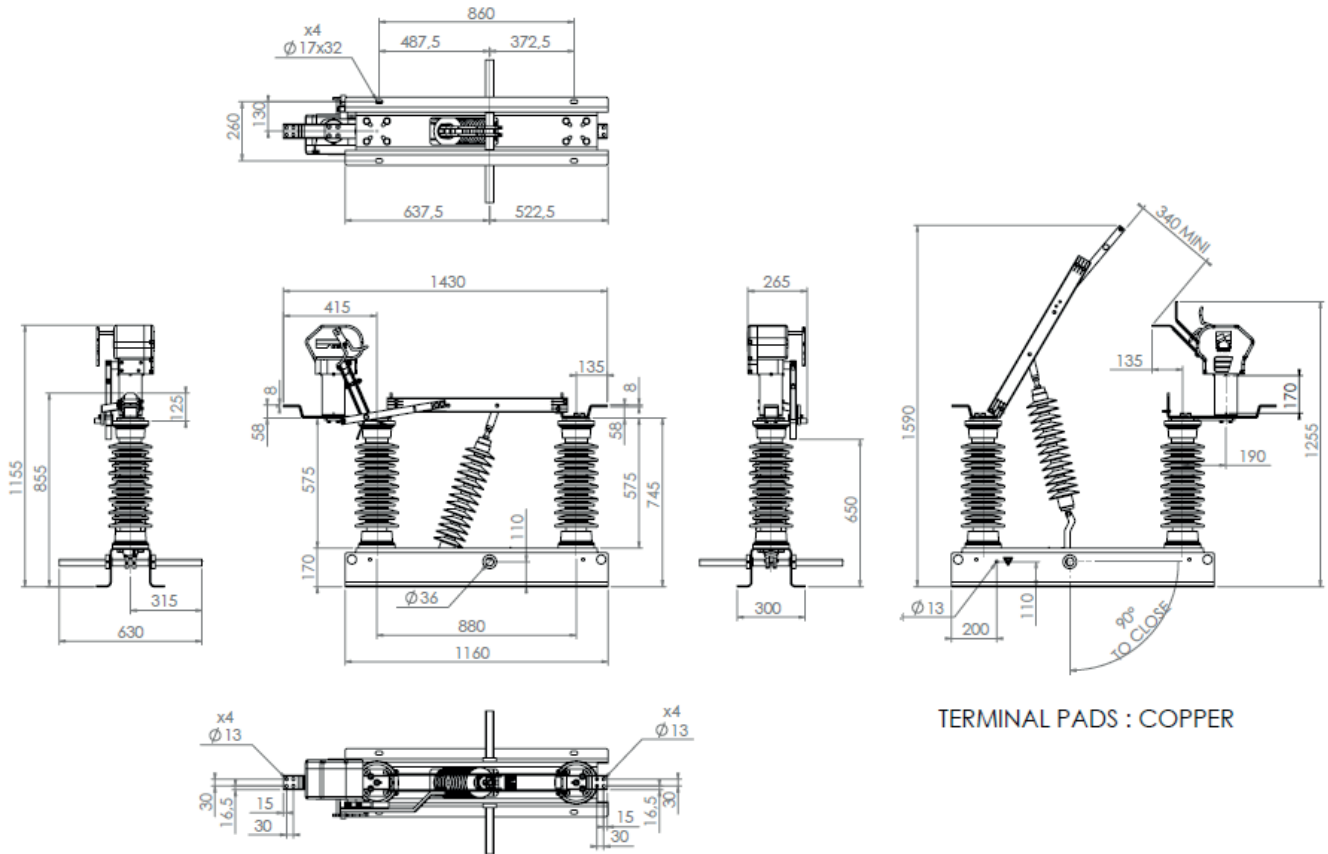
- | | |
|---------------------------------------------------------------------------|--------------------------------------|
| ■ Dielectric withstand at 50/60 Hz for 1 minute (kV rms) | |
| • to earth | 95 kV |
| • accross isolating distance | 110 kV |
| ■ Dielectric withstand rated lightning impulse withstand (1,2/50 μ s) | |
| • to earth | 250 kV |
| • accross isolating distance | 290 kV |
| ■ Rated making short circuit current | IT25N - Ima : 31.5 kA |
| ■ Porcelain insulator (silicone optional) | |
| • minimum creepage distance | 1040 mm (higher values upon request) |
| ■ Breaking chamber | Vacuum interrupter |
| ■ Primary Terminals | Copper pads |
| ■ Seismic withstand | 0,2 g (higher values upon request) |
| ■ Ice operation | 10 mm |
| ■ Mechanical endurance | 10 000 cycles |
| ■ Weight per pole | 107 kg |



Options

- Switch drives
 - electrical (EOM)
- Available in grease free version
- Ima = 40 kA (Model IT25H)
- Ima = 20 kA (Model IT25L)

Outline drawing



The drawing above is given for information only. Detailed layout available upon request.

General features

- IEC standards compliant.
- Type tests reports available upon request.