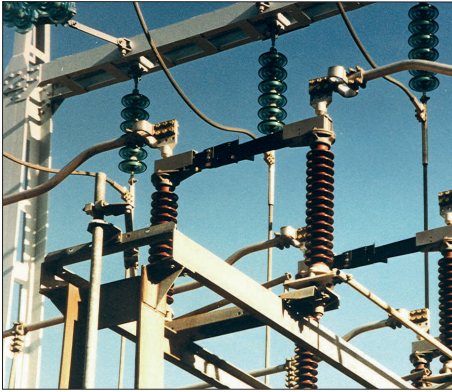


## Center break disconnecter

### TYPE SR16200

Ur : 52 to 245 kV - BIL 250 to 1050 kV - Ir ≤ 4000 A

I<sub>k</sub> ≤ 50 kA - I<sub>p</sub> ≤ 125 kA



### Applications

- Central break disconnecter, with silver plated copper contacts.
- For railways and transmission and distribution applications.
- Installation can be either horizontal, vertical or reversed.

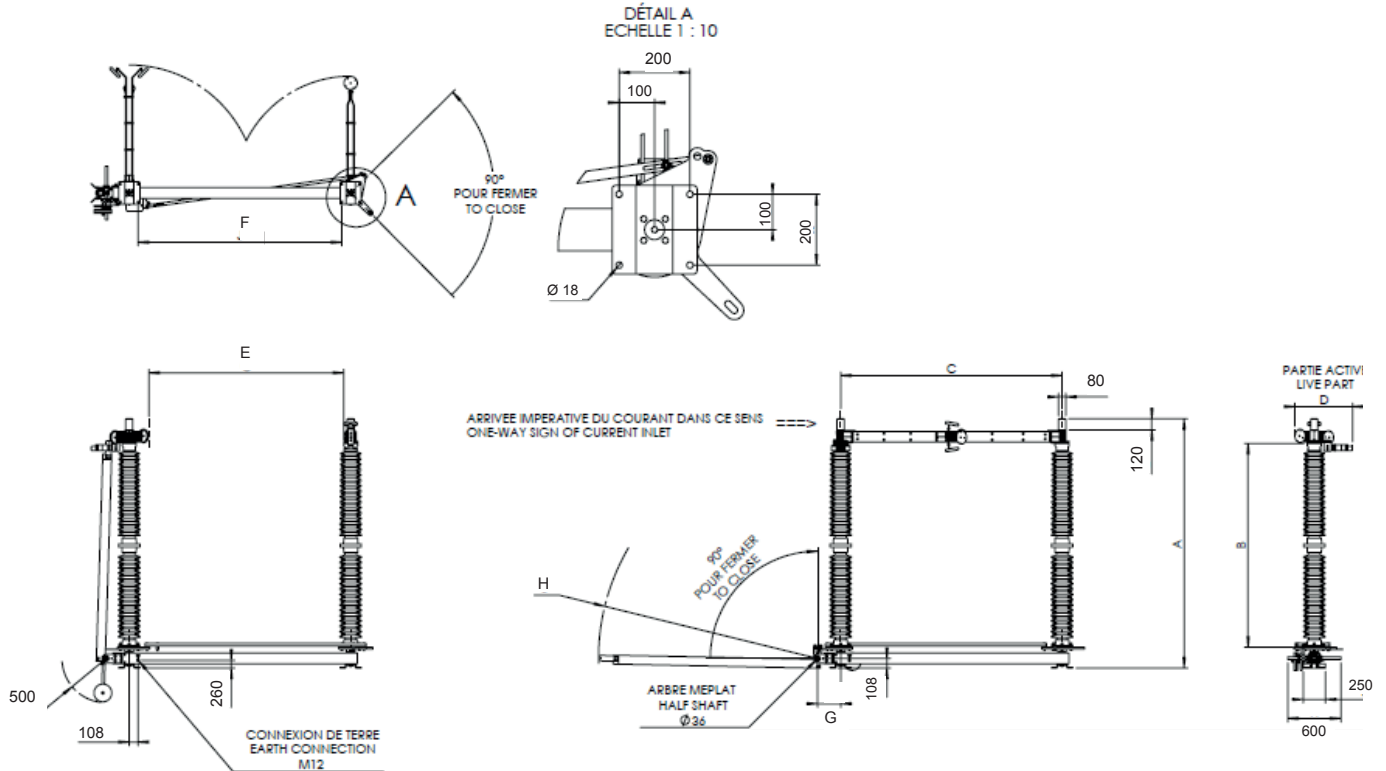
### Technical datas

■ Dielectric withstand at 50/60 Hz for 1 minute (kV rms)	According to IEC 62271-1 (Table 1a & Table 2a)
■ Dielectric withstand rated lightning impulse withstand (1,2 / 50 μs)	According to IEC 62271-1 (Table 1a & Table 2a)
■ Porcelain insulator <ul style="list-style-type: none"> <li>• minimum creepage distance</li> </ul>	25 mm / kV (31 mm / kV optional)
■ Primary Terminals	Cylindrical bare copper pads (aluminium optional)
■ Seismic withstand	0,2 g (higher values upon request)
■ Ice operation	10 mm
■ Mechanical endurance	2000 cycles
■ Small current breaking capacity	0,5 A (higher values upon request)
■ Weight per pole	See table

### Options

- Making and breaking capacity of inductive currents (available for disconnecter 52 kV, 72,5 kV, 100 kV)
- Associated earthing switch
  - Rated short-circuit withstand current
 I<sub>k</sub> same as disconnecter
- Interlocking device with other functions
  - mechanical, electrical, electromagnetic (coil)
- Available in grease free version.
- Disconnecter & Earthing switch drives
  - Group operated or single pole operated
  - manual (MOM) or electrical (EOM)

## Outline drawing



The drawing above is given for information only. Detailed layout available upon request.

Cylindrical pads	Ir	DIA	L	Ir	DIA	L	Ir	DIA	L	Ir	DIA	L	Aluminium pads upon request
	4000 A	Ø 80	120	3150 A	Ø 50	110	2000 A	Ø 40	100	1250 A	Ø 30	100	

Rated voltage Ur	Rated current (maxi) Ir	Rated short-circuit current (maxi) Ik	A	B	C	D	E	F	G	H	Weight per pole kg
			mm	mm	mm	mm	mm	mm	mm	mm	
52 kV	4000 A	40 kA	970	560	700	220	540	400	50	730	126
72,5 kV	4000 A	40 kA	1150	770	900	220	740	600	50	960	156
100 kV	4000 A	40 kA	1400	1020	1200	575	1040	700	75	1200	186
123 kV	4000 A	50 kA	1720	1200	1650	575	1470	1450	258	1420	282
145 kV	4000 A	50 kA	1970	1500	1650	575	1470	1450	258	1680	342
170 kV	4000 A	50 kA	2200	1700	1900	650	1595	1700	258	1880	426
245 kV	4000 A	50 kA	2870	2300	2500	650	2340	2300	258	2480	582

Here above are mentioned maximum dimensions. For higher performances, please consult us.

## General features

- Applicable IEC standards compliant
- Type tests reports available upon request