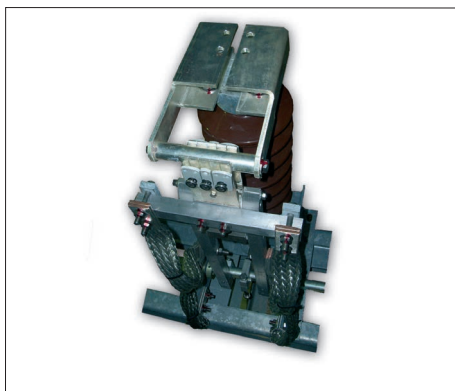


Outdoor earthing switch disconnecter

TYPE ST90

Ur : 24 to 52 kV - BIL 125 to 250 kV

Ik : 50 kA / 90 kA - Ip : 130 kA / 234 kA



Applications

- Earthing switch with vertical blade and overtoggle device during closure.
- For railways and transmission and distribution applications and Static Var Compensator substations, for outdoor, horizontal or vertical mounting.
- Stand alone earthing switch.

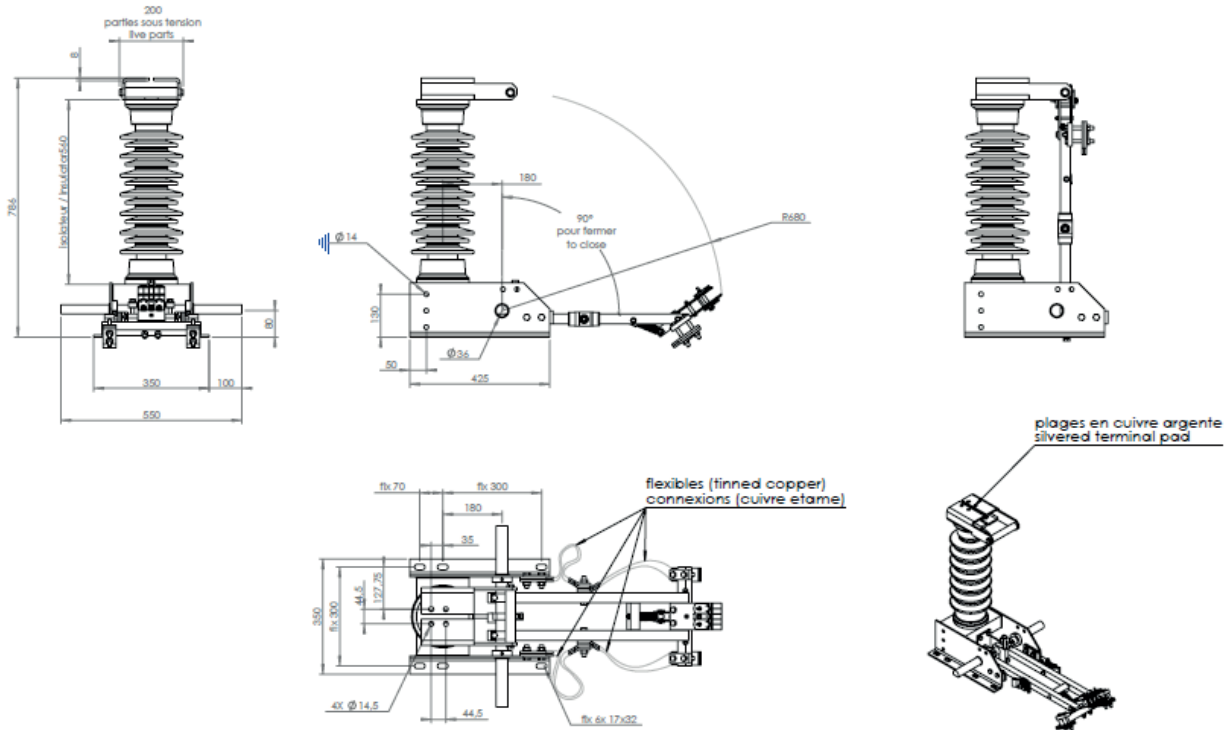
Technical datas

- | | |
|---|--|
| ■ Dielectric withstand at 50/60 Hz for 1 minute (kV rms) | |
| • to earth | 50 kV to 95 kV |
| ■ Dielectric withstand rated lightning impulse withstand (1,2/50 μ s) | |
| • to earth | 125 kV to 250 kV |
| ■ Porcelain (Epoxy resin optional) insulator | |
| • minimum creepage distance | 600 mm to 1300 mm (higher values upon request) |
| ■ Primary Terminals | silver plated copper pads |
| ■ Rated short-circuit withstand current | |
| • Simple blade | Ik : 50 kA - tk : 1s - Ip : 130 kA |
| • Double blade | Ik : 90 kA - tk : 1s - Ip : 234 kA |
| ■ Seismic withstand | 0,2 g (higher values upon request) |
| ■ Ice operation | 10 mm |
| ■ Mechanical endurance | 2000 cycles |
| ■ Small current breaking capacity | 0,5 A (higher values upon request) |
| ■ Weight per pole | 105 kg |

Options

- Interlocking device with other functions
- Earthing switch drives
 - electrical (EOM) or manual (MOM)

Outline drawing (Ur : 52 kV - Ik : 50 kA)



The drawing above is given for information only. Detailed layout available upon request.

General features

- IEC standards compliant
- Type tests reports available upon request