

Manual operating mechanism with lever, rear output, for indoor

TYPE 2G



Applications

- Manual operating mechanism with local operation, for indoor disconnectors with ganged operated or single pole operated.
- For disconnector : vertical break, double break, wall bushing disconnector, earthing switch.

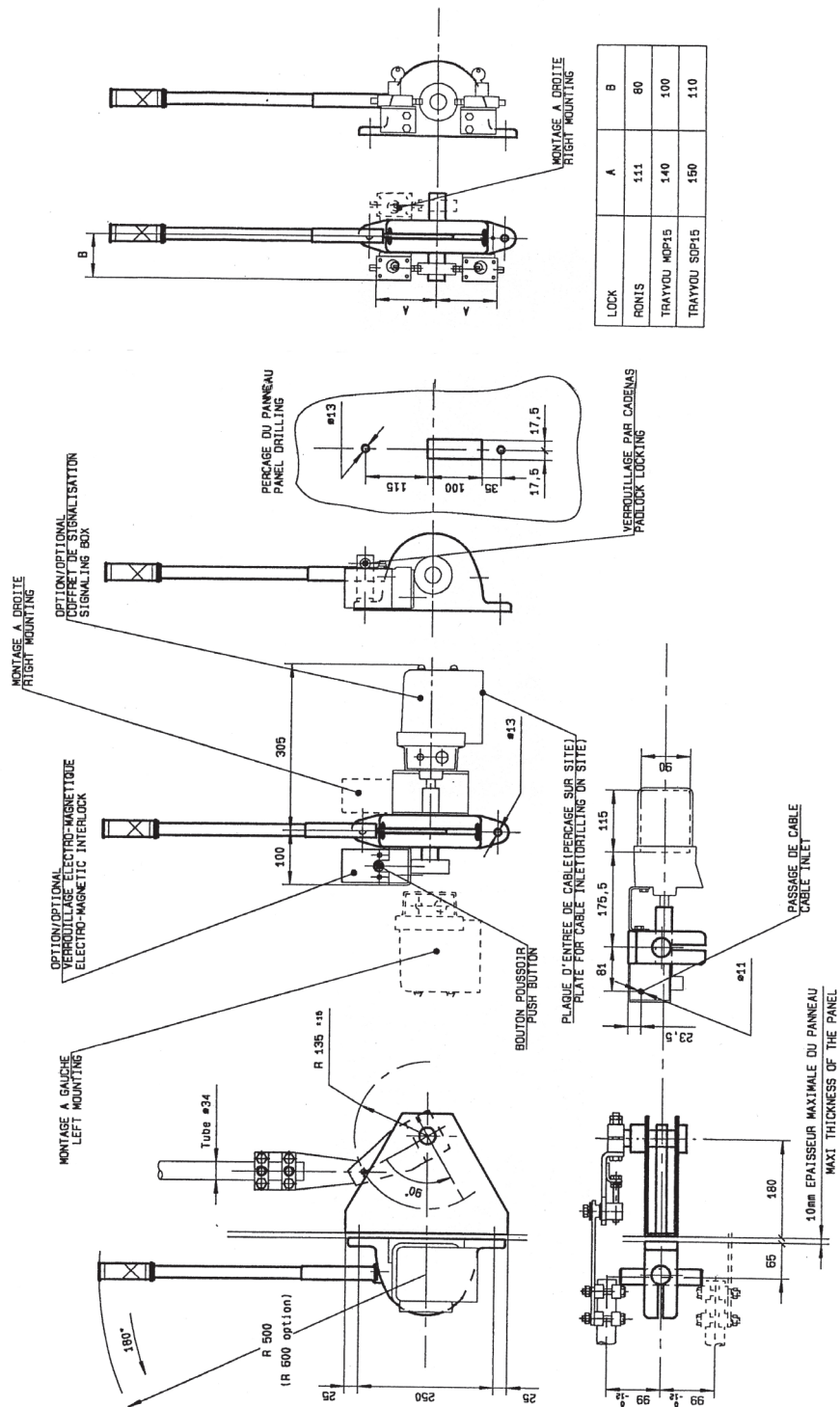
Technical datas

- Based and operating lever made with hot dip galvanized steel
- Base and operating lever made with protected steel
 - Length of lever 500 mm
 - Maximum force 450 N
- Mechanical locking in "open" and "closed" position With padlock (padlock not supplied)
- Rotating angle of lever 180°
- Rotating angle of the shaft 90°
- Weight 5 kg

Options

- Auxiliary contacts
 - 4NO + 4NC
 - 6NO + 6NC/8NO + 8NC
 - Insulation level: 2 kV
 - Rated current: 10 A
 - Breaking capacity: 110 Vdc/1A
 - Breaking capacity: 220 Vdc/0,5A
 - Breaking capacity: 230 Vac/2A
- Heating resistance (230 Vac - 50/60 Hz)
- Electro-magnetic lock with or without push-button and with or without signalling lamp
- Locking with keylocks (keylocks not supplied)
- Box protection degree IP43 (with options above), with cable gland plates (to drill on site)
- Operating lever : length 600 mm

Outline drawing



The drawing above is given for information only. Detailed layout available upon request.

General features

- IEC standards complian
- Type tests reports available upon request