

Rotating manual operating mechanism with vertical shaft

TYPE R77E



Applications

- Manual operating mechanism with local operation, for outdoor disconnectors with connected or not connected poles.
- For disconnector : Center break, double break, earthing switch.

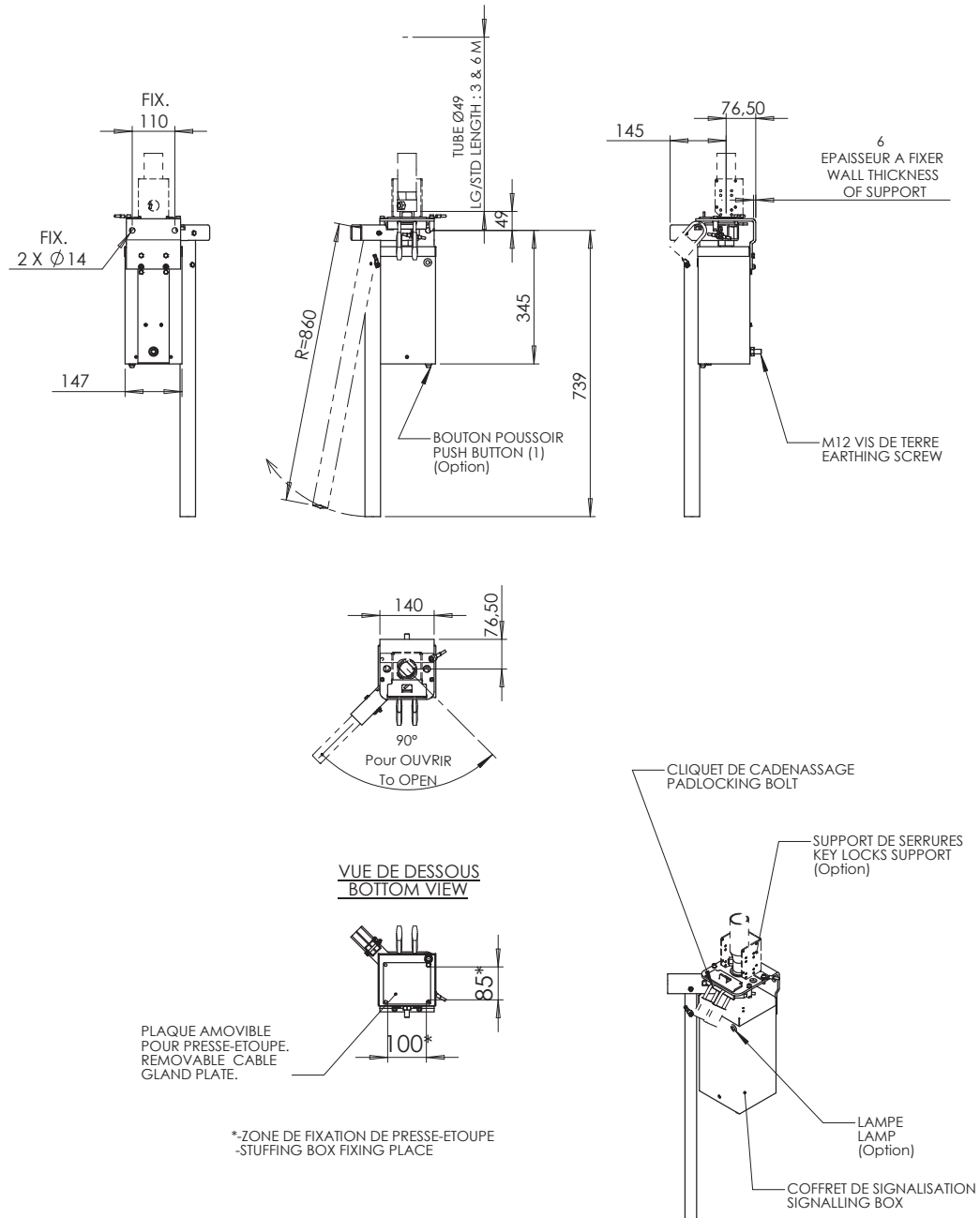
Technical datas

- Based and operating lever made with hot dip galvanized steel
- Operating lever
 - Length of lever 1000 mm
 - Maximum force 450 N
- Mechanical locking in "open" and "closed" position With padlock (padlock not supplied)
- Rotating angle 90°
- Weight 10 kg

Options

- Auxiliary contacts
 - 4NO + 4NC
 - 6NO + 6NC/8NO + 8NC
 - Insulation level: 2 kV
 - Rated current: 10 A
 - Breaking capacity: 110 Vdc/1A
 - Breaking capacity: 220 Vdc/0,5A
 - Breaking capacity: 220 Vac/2A
- Heating resistance (230 Vac - 50/60 Hz) with or without thermostat
- Terminal block, marking off upon request
- Electro-magnetic lock with or without push-button and with or without signalling lamp
- Locking with keylocks (keylocks not supplied)
- Box protection degree IP54 (with options above), with cable gland plates (to drill on site).

Outline drawing



LA COMMANDE EST REPRESENTEE SECTIONNEUR FERME.
THE OPERATING MECHANISM IS SHOWN DISCONNECTOR CLOSED.
POUR LE RACCORDEMENT ELECTRIQUE SE REFERER AU SCHEMA ELECTRIQUE.
FOR OUT PUT AND IN PUT CONNECTION, REFER TO WIRING DIAGRAM.
(1)-BOUTON POUSSOIR-PUSH BUTTON : POUR LAMPE DE SIGNALISATION OU
VERROUILLAGE ELECTRO-MAGNETIQUE.(OPTION)
FOR SIGNALING LAMP OR ELECTRO-MAGNET LOCKING.(OPTION)

The drawing above is given for information only. Detailed layout available upon request.

General features

- IEC standards compliant
- Type tests reports available upon request