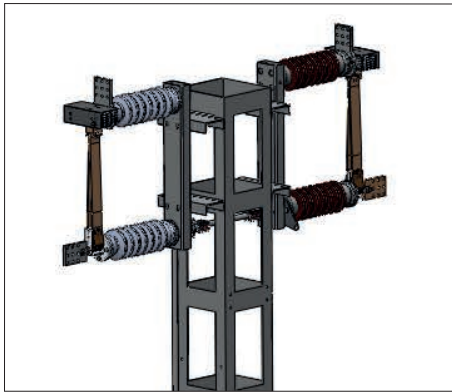


Outdoor center break disconnecting switch with two swiveling post-insulators

TYPE SR16203N

Ur : 25 (52 kV) - BIL 250 kV - Ir : 1250 / 2500 A

Ik : 20 kA - Ip : 50 kA



Applications

- For railways substations
- Compatible with one or three-pole installations, horizontal or vertical mountings.

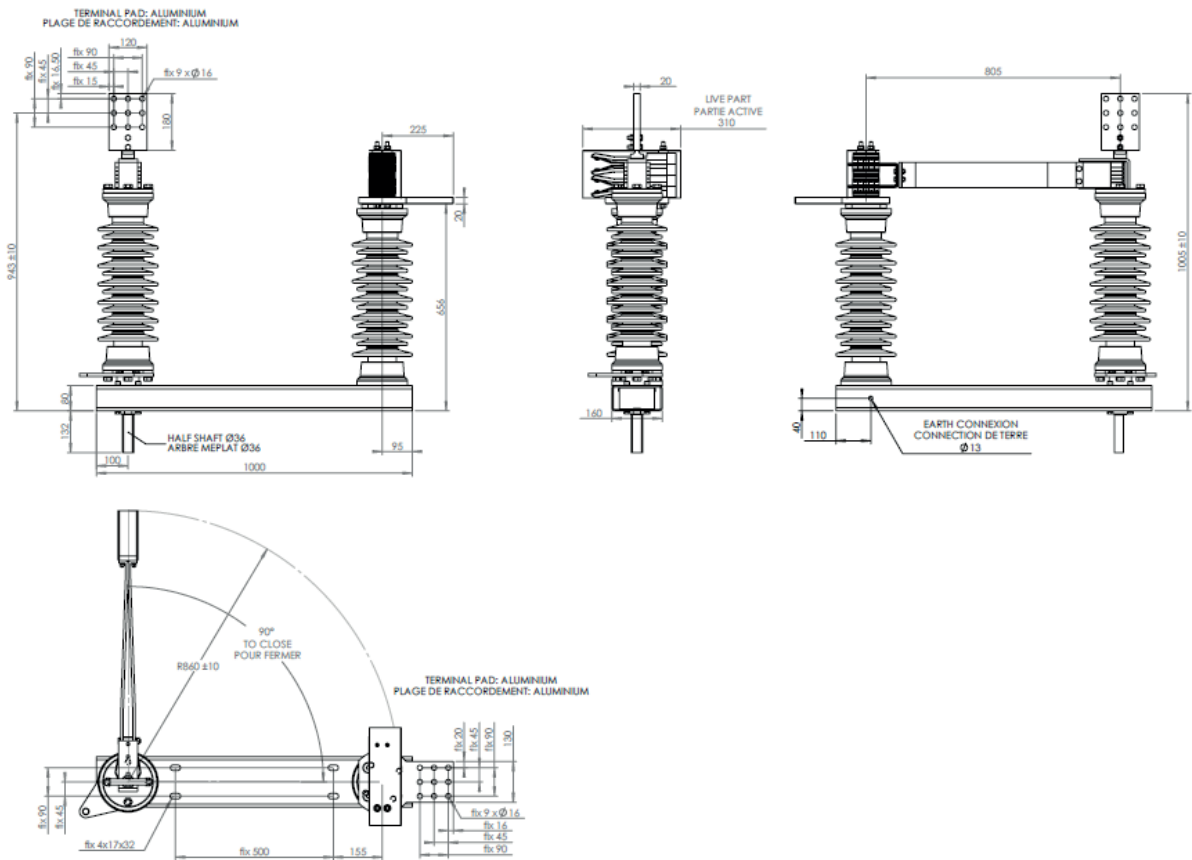
Technical datas

- Dielectric withstand at 50/60 Hz for 1 minute (kV rms)
 - to earth 95 kV
 - accross isolating distance 110 kV
- Dielectric withstand rated lightning impulse withstand (1,2/50 μ s)
 - to earth 250 kV
 - accross isolating distance 290 kV
- Porcelain insulator
 - minimum creepage distance 1300 mm (higher values upon request)
- Primary Terminals Aluminium pads
- Seismic withstand 0,2 g (higher values upon request)
- Ice operation 10 mm
- Mechanical endurance 10 000 cycles
- Small curent breaking capacity 0,5 A (higher values upon request)
- Weight per pole 1250 A : 60 kg - 2500 A : 85 kg

Options

- Stand-alone or associated earthing switch.
 - rated short-circuit withstand current Ik same as disconnecter
- Keylocking
- Main disconnecter drives
 - manual (MOM) or electrical (EOM)
- Earthing switch drives
 - manual (MOM) or electrical (EOM)

Outline drawing



The drawing above is given for information only. Detailed layout available upon request..

General features

- IEC standards compliant
- Type tests reports available upon request