

Autonomous Solution S-ECO & S-WICOM



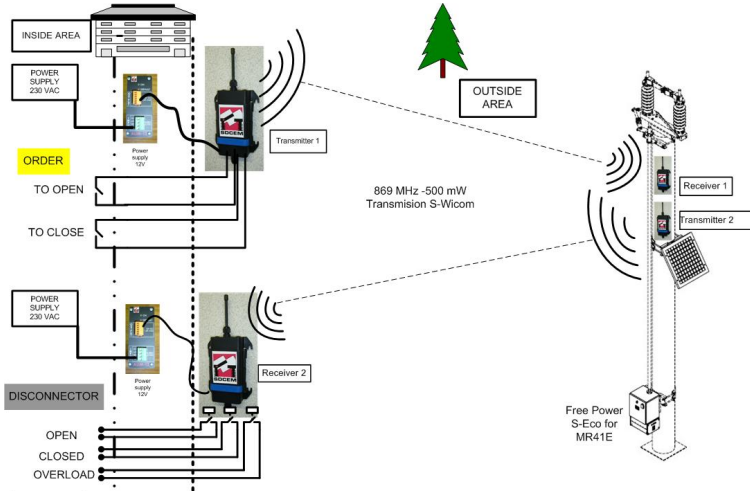
Autonomous Solution

Looking for a wireless installation a solar energy ?

Autonomous solution guarantees a full autonomy of installation, by a management power consumption and wireless communication through secured protocols.

This solution Zero câble, Zero consommation simplifies the implementation of isolated sites, and sustainably reduces implementation and operation costs.

Associated to electrical operating mechanism MR41E, this monitoring system is ideal for predictive maintenance: maintenance planning, scheduling alerts (voltage detection, operating torque detecting...)



Implantation drawing with S-Wicom combined to S-Eco module

Technical specifications

- Security : encrypted communication protocol
- Reach : up to 4 km (*in straight line*)
- Protection : radio module box IP65
- Reliability : 2 Frequencies used to counter the risk of interference (869.525 Mhz)
- Maintenance : checking of battery every 5 years
- Power of solar panel : 50 W (*with 100% of solar energy*)
- Operating temperature : -30°C/+70°C
- Life time maintenance-free : 10 years (*25 years for solar panels*)
- Autonomy : 30 cycles sunless

Scope of supply

- Solar panel with fixation
- MR41E with S-ECO cabinet
- 1 transmitter + 1 receiver (control room)
- 1 transmitter + 1 receiver (near operating mechanism)