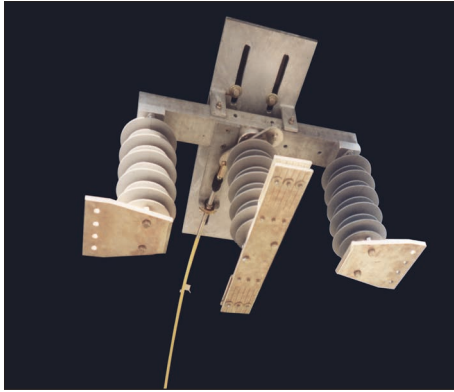


Disconnecter switch inside tunnel

TYPE SST25

Ur : 25 kV - BIL 170 kV - Ir : 2500 A

Ik : 31,5 kA - Ip : 80 kA



Applications

- For tunnel use, single pole, horizontal installation
 - ambient temperature use : - 25°C / + 40°C
- For railway electrification 25 kV - 50Hz.
- Single phase system
- Catenaries feeding in tunnel.

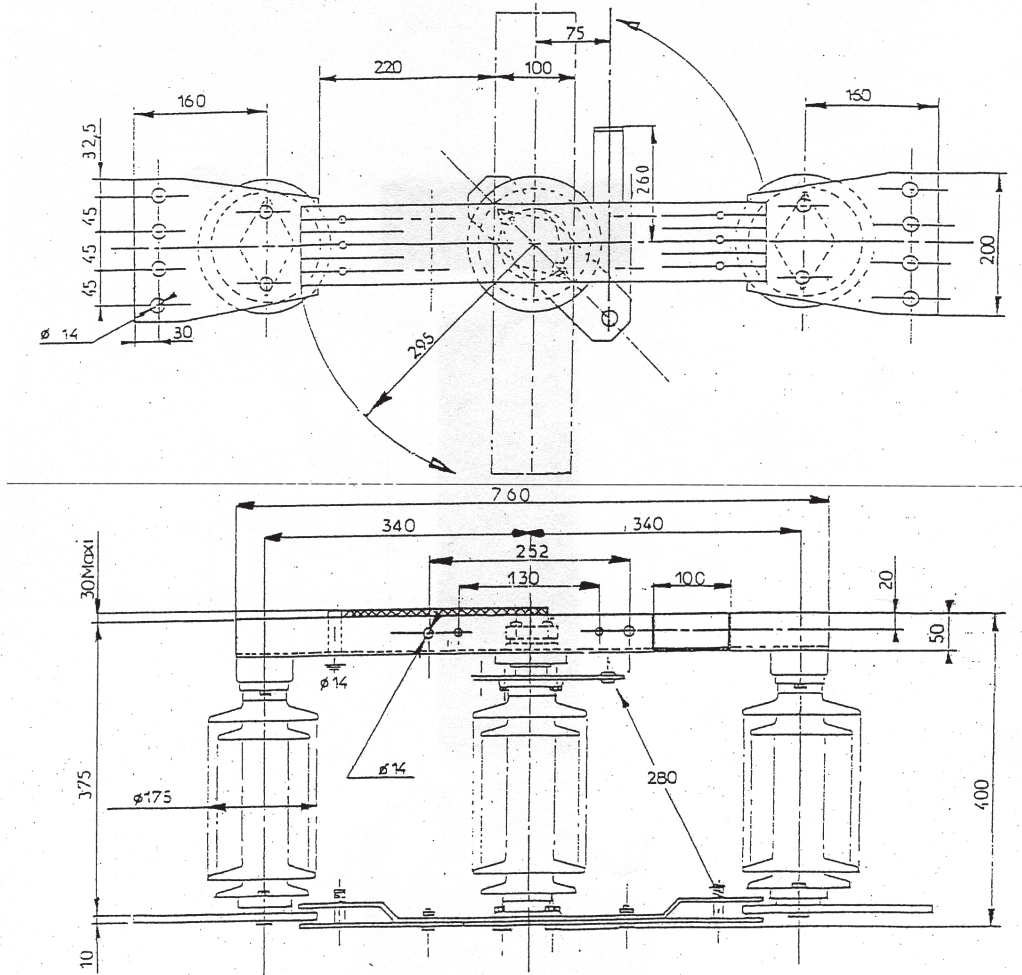
Technical datas

- Dielectric withstand at 50/60 Hz for 1 minute (kV rms)
 - to earth 70 kV
 - accross isolating distance 80 kV
- Dielectric withstand rated lightning impulse withstand (1,2/50 μ s)
 - to earth 170 kV
 - accross isolating distance 195 kV
- Synthetic insulator
 - minimum creepage distance 1100 mm (higher values upon request)
- Primary Terminals silver plated copper pads
- Seismic withstand 0,2 g (higher values upon request)
- Mechanical endurance 1000 cycles
- Weight per pole 40 kg

Options

- Main disconnector drives
 - electrical (EOM) or manual (MOM)
- Drive rod assembly
 - Flexible linkage adapted to tunnel wall

Outline drawing



The drawing above is given for information only. Detailed layout available upon request.

General features

- IEC standards compliant
- Type tests reports available upon request