

Rotating EOM with vertical shaft for disconnectors

TYPE MR41R



Applications

- One pole operation or ganged pole operation.
- Electrical remote operation.
- Electrical local operation.
- Surge local manual operation.
- Choice of operation mode by locable selector.

Technical description

- Stainless steel housing
- Access door with handle (key lock upon request)
- Degree of protection: IP54 or IP43
- Heating resistor
- Driving module
 - Motor with variable reduction ratio
 - Motor protected by thermal relay (option MCB)
 - Irreversible transmission movement
- Auxiliary contacts
 - Positively driven in both directions
 - Standard: 40/4C, 60/6C, 120/12C
 - RTE homologated : 10/1C + 1NO/1NC
- Selector
 - Electrical remote operation
 - Electrical local operation
 - Surge local manual operation
 - Out of use position locable with padlock
 - Other positions locable upon request
- Locable selector
- Terminal block & cable gland plates (to be drilled at site).
- Electrical locking with position selector when "out of use".

ROTATING EOM WITH VERTICAL SHAFT FOR DISCONNECTORS TYPE MR41R

Electrical datas

- Motor
 - Supply voltage 110 Vdc (+10% / - 15%)
 - Option : 48, 125, 220 Vdc & 230 Vac one phase and 400 Vac 3 phases (50/60 Hz)
 - Power: 550 W

Voltage	48 Vdc	110 Vdc	125 Vdc	220 Vdc	230 Vac	400 Vac
rated current	18 A	7 A	6.5 A	3.6 A	3.6 A	1.4 A
peak current	97 A	39 A	35 A	19 A	19 A	6 A

- Relays and contactors
 - Supply voltage 110 Vdc (+10% / - 15%)
 - Optional: 48, 125, 220 Vdc & 110, 230 Vac (50/60Hz)
 - Power: 7 VA
- Auxiliary contacts
 - Rated current: 10A
 - Switching capacity: 110 Vdc/1A & 220 Vdc/0.3A & 230 Vac/2A
- Heating resistor
 - Voltage: 230 Vac (50/60 Hz)
 - Power: 30W
- Marking
 - Terminals: marking by label
 - Printed wires

Mechanical datas

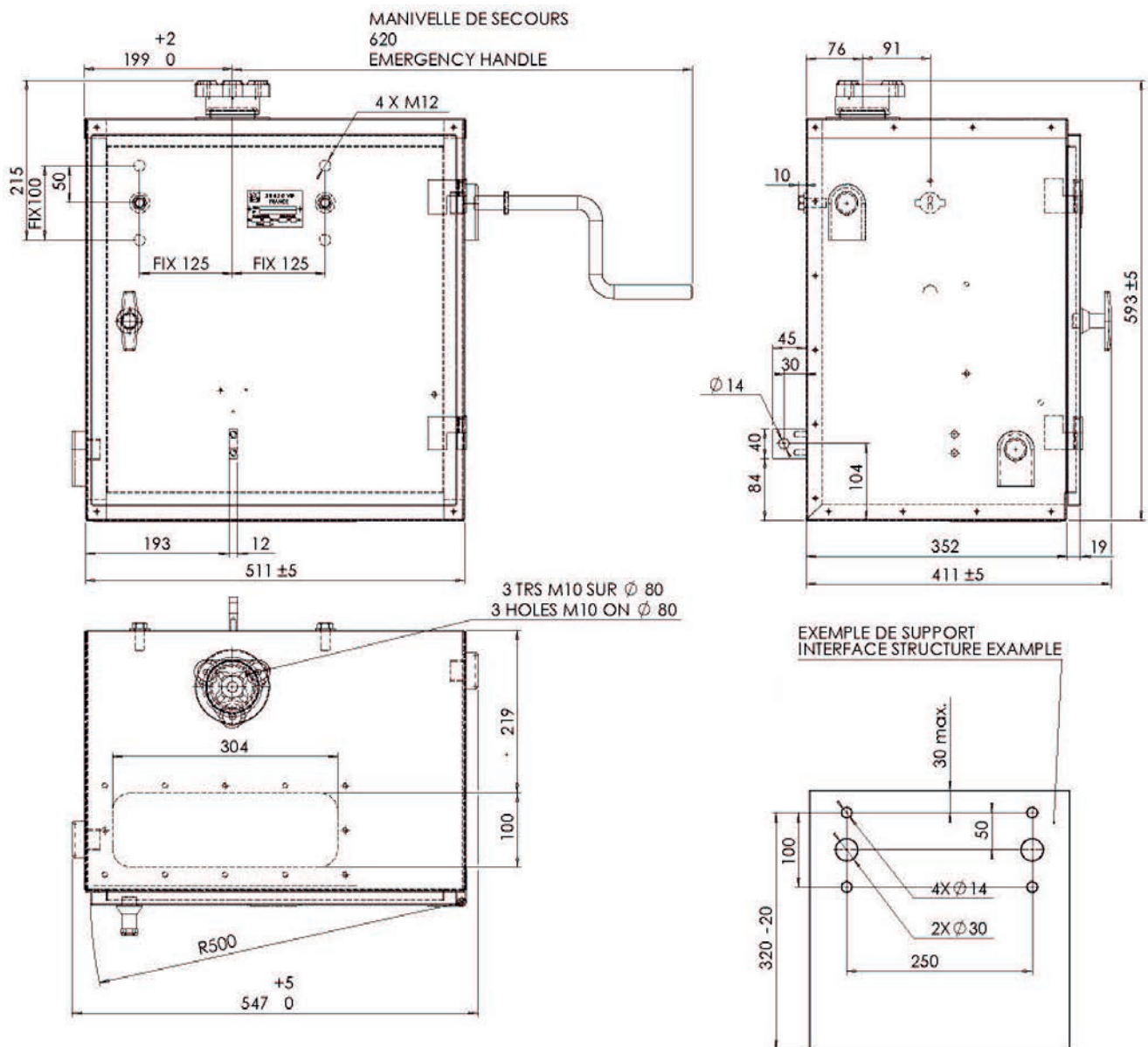
- Output torque: 800 N.m
- Outlet operating shaft on the upper side of the box
- Rotation angle 90°
- Emergency crank handle : 46 revolutions
- Number of guaranteed operations 1000 - 2000 - 10000 cycles O and C according to application
- Operating time ≤ 10 sec.

Optional

- Locking of the surge local manual operation with magnetic lock
- Motor protected by M.C.B.
- Locking with keylocks with contacts (keylocks not supplied)
- Locable access door
- Operation counter

ROTATING EOM WITH VERTICAL SHAFT FOR DISCONNECTORS TYPE MR41R

Outline drawing



ROTATING EOM WITH VERTICAL SHAFT FOR DISCONNECTORS TYPE MR41R

Typical electrical diagram

- M1 : Motor
- S1 : Changeover switch
- F1 : Thermal relay
- K1 : Opening contactor
- K2 : Closing contactor
- S2 : Opening push button
- S3 : Closing push button
- S4 : Opening limit switch
- S5 : Closing limit switch
- S6 : Auxiliary switch
- R1 : Heating

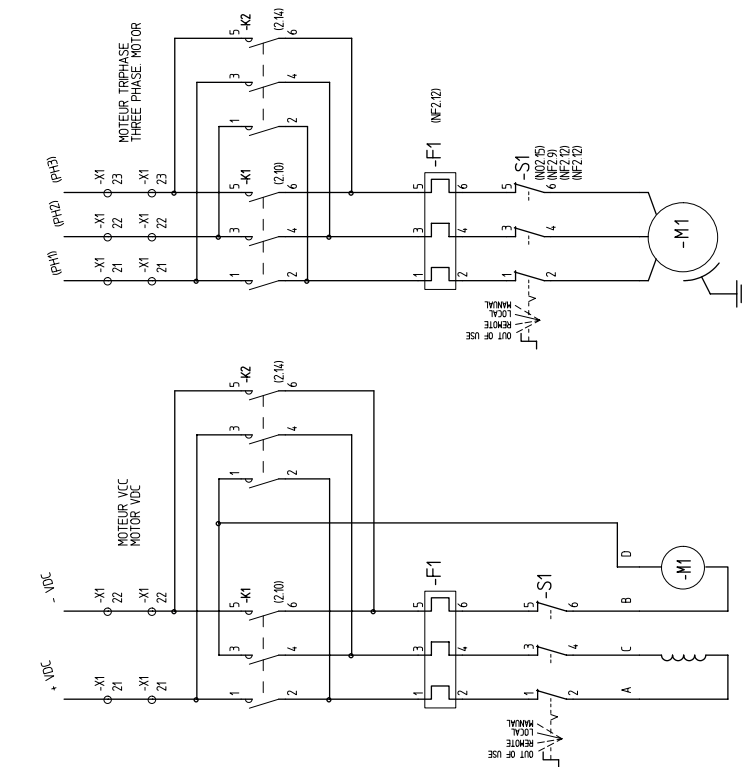
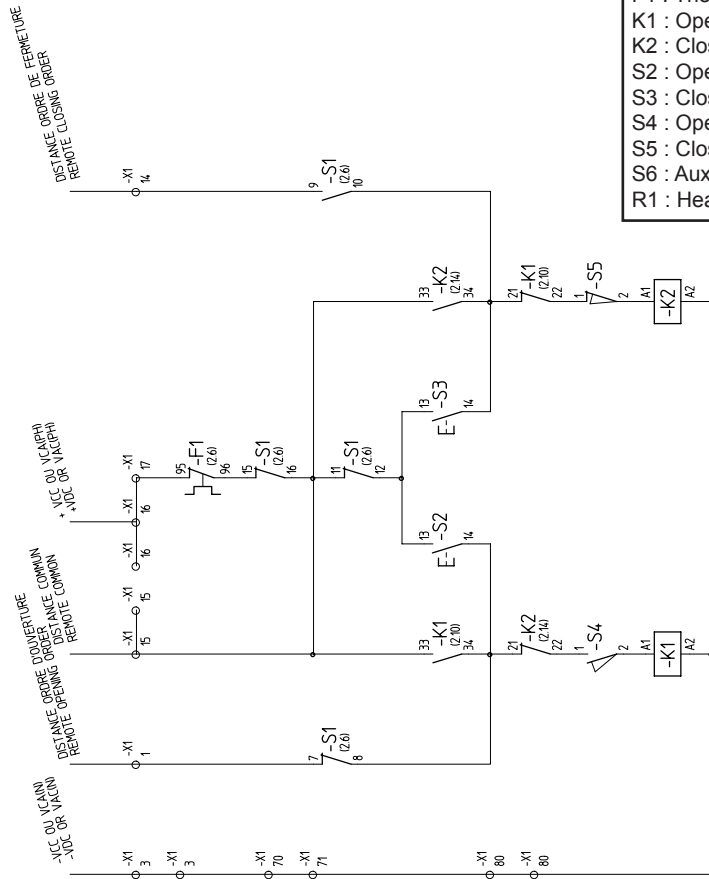


DIAGRAMME DE FONCTIONNEMENT
TIME CHART

