

## Vertical semi-pantograph disconnecter

### TYPE SP16700

Ur : 72,5 to 100 kV - BIL 325 to 450 kV - Ir ≤ 2000 A

Ik ≤ 31,5 kA - Ip ≤ 80 kA



### Applications

- For railways and transmission and distribution applications.
- One arm pantograph disconnecter, with silver plated copper contacts engaging on contact bar fixed on the upper bushbar.
- Horizontal installation.

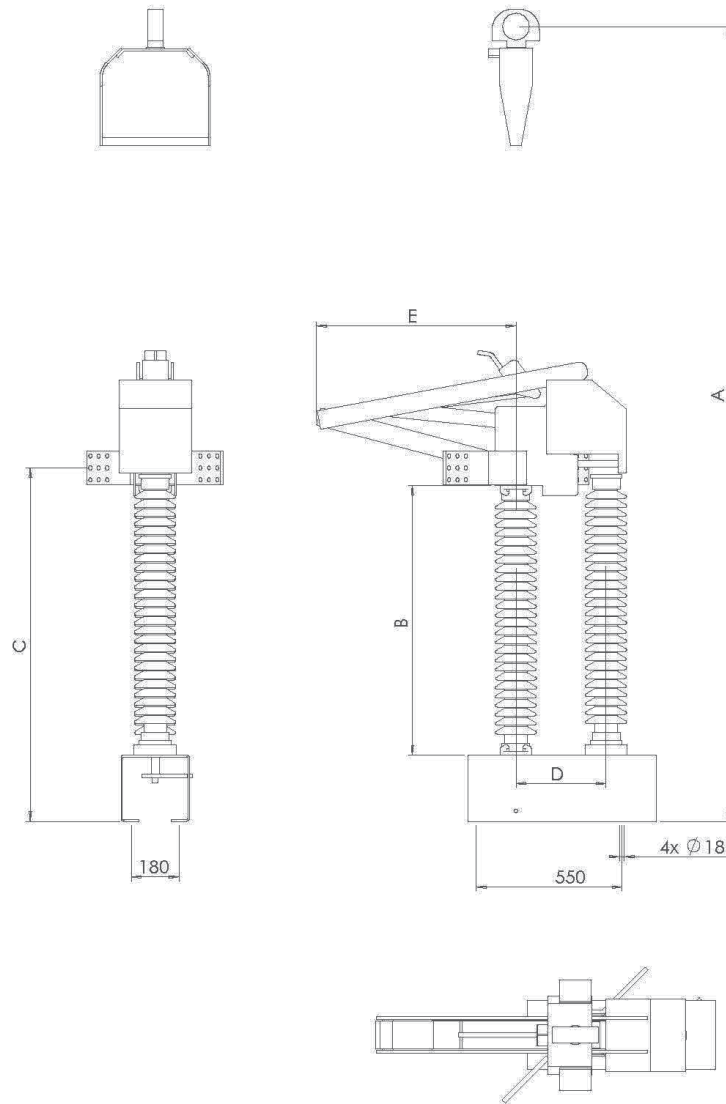
### Technical datas

- Dielectric withstand at 50/60 Hz for 1 minute (kV rms)
  - to earth 72,5 kV : 140 kV - 100 kV : 185 kV
  - accross isolating distance 72,5 kV : 160 kV - 100 kV : 210 kV
- Dielectric withstand rated lightning impulse withstand (1,2 / 50 μs)
  - to earth 72,5 kV : 325 kV - 100 kV : 450 kV
  - accross isolating distance 72,5 kV : 375 kV - 100 kV : 520 kV
- Porcelain insulator
  - minimum creepage distance 72,5 kV : 1815 mm - 100 kV : 2500 mm (higher values upon request)
- Primary Terminals Aluminum pads
- Seismic withstand 0,2 g (higher values upon request)
- Ice operation 10 mm
- Mechanical endurance 2000 cycles
- Small current breaking capacity 0,5 A (higher values upon request)
- Weight per pole 72,5 kV : 137 kg - 100 kV : 162 kg

### Options

- Contact bar designed for under voltage mounting (TST)
- Main disconnecter drives
  - electrical (EOM) or manual (MOM)

## Outline drawing



The drawing above is given for information only. Detailed layout available upon request.

| Type    | Rated voltage<br>$U_r$ | Rated current<br>$I_r$ | $I_k$   | A    | B    | C    | D   | E   | H1   | H2   | L1   | L2   |
|---------|------------------------|------------------------|---------|------|------|------|-----|-----|------|------|------|------|
|         |                        |                        |         | mm   | mm   | mm   | mm  | mm  | mm   | mm   | mm   | mm   |
| SP16700 | 72 kV                  | 2000 A                 | 31,5 kA | 2500 | 770  | 1090 | 340 | 600 | 3350 | 2500 | 2000 | 2000 |
|         |                        | 1250 A                 | 31,5 kA |      |      |      |     |     |      |      |      |      |
|         | 100 kV                 | 2000 A                 | 31,5 kA | 3150 | 1020 | 1340 | 340 | 750 | 2700 | 3150 | 2000 | 1800 |
|         |                        | 1250 A                 | 31,5 kA |      |      |      |     |     |      |      |      |      |

## General features

- Applicable IEC standards compliant
- Type tests reports available upon request